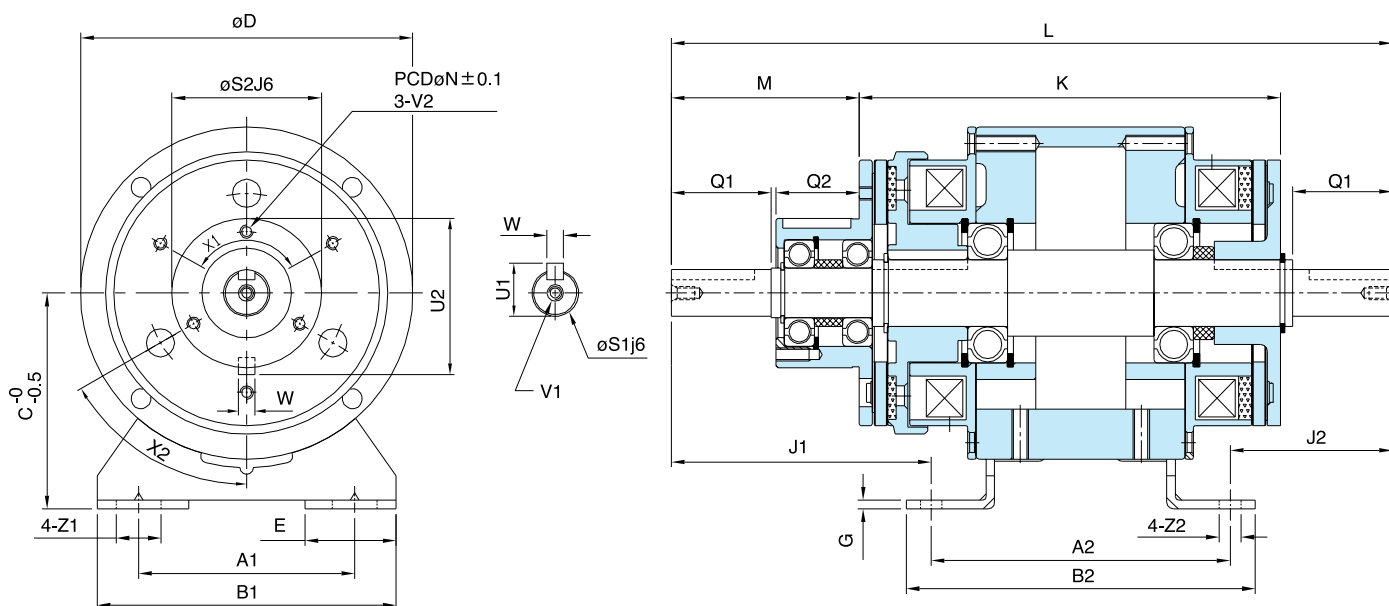


# CDB Series

## 外露式電磁離合、煞車器組 Exposed Magnetic Clutch and Brake Combination



型號 MODEL	CDB0S6AA	CDB1S5AA	CDB2S5AA	CDB005AA	CDB010AA	CDB020AA	CDB040AA	
靜摩擦轉距 [kgm](Nm) Static Friction Torque	0.55 (5.5)	1.1(11)	2.2 (22)	4.5 (45)	9 (90)	17.5 (175)	35 (350)	
功率 Power [24V](W) at 20°C	11	15	20	25	35	45	60	
懸垂荷重 (kgf) Suspended load	A	30	45	70	90	140	290	
	B	14	25	45	70	100	260	
徑方向 Radius	A2	75	90	110	135	160	240	
	B2	95	105	130	160	185.5	270	
	G	10	2.6	3.2	3.2	4.5	6	20
	J1	66.25	78.2	98	120.3	149.5	186.7	238
	J2	43.15	48.8	62	74.7	89.5	117.3	154
	K	105.5	126.9	149.4	182.1	221.5	276.9	334
	L	181	217	270	330	399	504	632
	M	46.5	56.5	72	92	113	142	183
	Q1	25	30	40	50	60	80	110
	Q2	20	25	30	40	50	60	70
V1	M4*0.7P*8L		M6*1P*11L			M10*1.5P*17L		
Z2	6.5	6.5	9	11	11.5	14	14	
軸方向 Shaft	A1	52	65	80	105	135	195	
	B1	72	90	110	140	175	240	
	C	55	65	80	90	112	160	
	D	80	100	125	150	190	290	
	E	27.5	27.5	32.5	35	42	47	
	N	33	37	47	52	62	101.5	
	S1	11	14	19	24	28	42	
	S2	38	45	55	64	75	115	
	U1	12.5	16	21	27	31	45.5	
	U2	39.5	47	57	67	78	118.5	
	V2	M4*0.7P*6L		M4*0.7P*8L			M6*1P*12L	
	W	4	5	7	10	12		
	X1	3-120°			4-90°			8-45°
	X2	60°			45°			22.5°
Z1	13.5	13.5	15.5	20	24	28	28	
重量 Weight (kg)	1.5	2.7	5.5	9.6	18.5	35	64	
保護素子 Protective band	470KD07	GD80KD10		GD80KD14				